

1

2

3

4

5

6

A

B

C

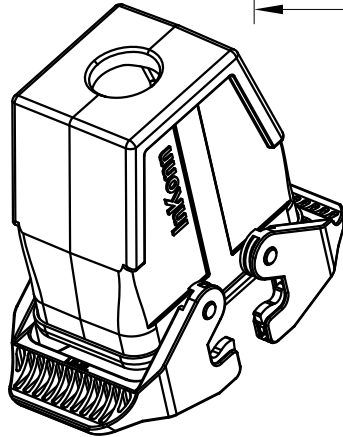
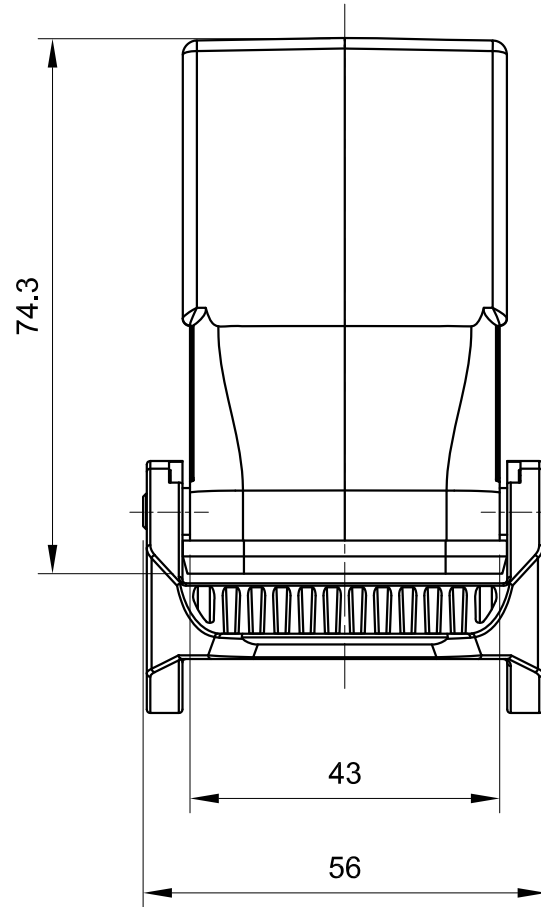
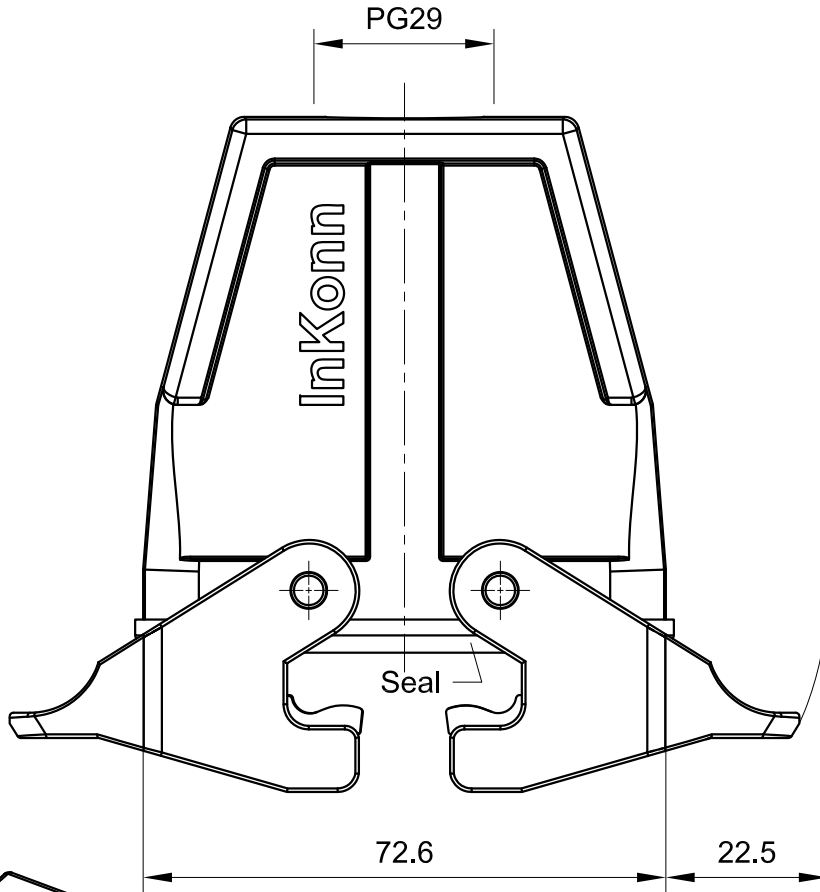
D



A

B

C

D



 All Dimensions in mm Original Size DIN A4	Date 2019-12-10	Drawing No. TC5196004	Rev. A00	Scale 1:1
	Part No. 10 11 810 1424	Created by Shuxu Huang	Checked by Yiyi Luo	Page 1/1
 InKonn® InKonn (Suzhou) Electric Technology Co.,Ltd.		Type Name HB10-HCTC-DL-PG29		

1

2

3

4

5

6